

1106341
SMALL 50 ES EVO 230V 50HZ

3224463_1106341_R15W - R15W (19/4/2023)



Access Platform Division

Via San Francesco d'Assisi, 8 - 46020 Pegognaga (Mantova) - ITALY Tel. +39 0376
554011 - Fax +39 0376 559855

www.imergroup.com

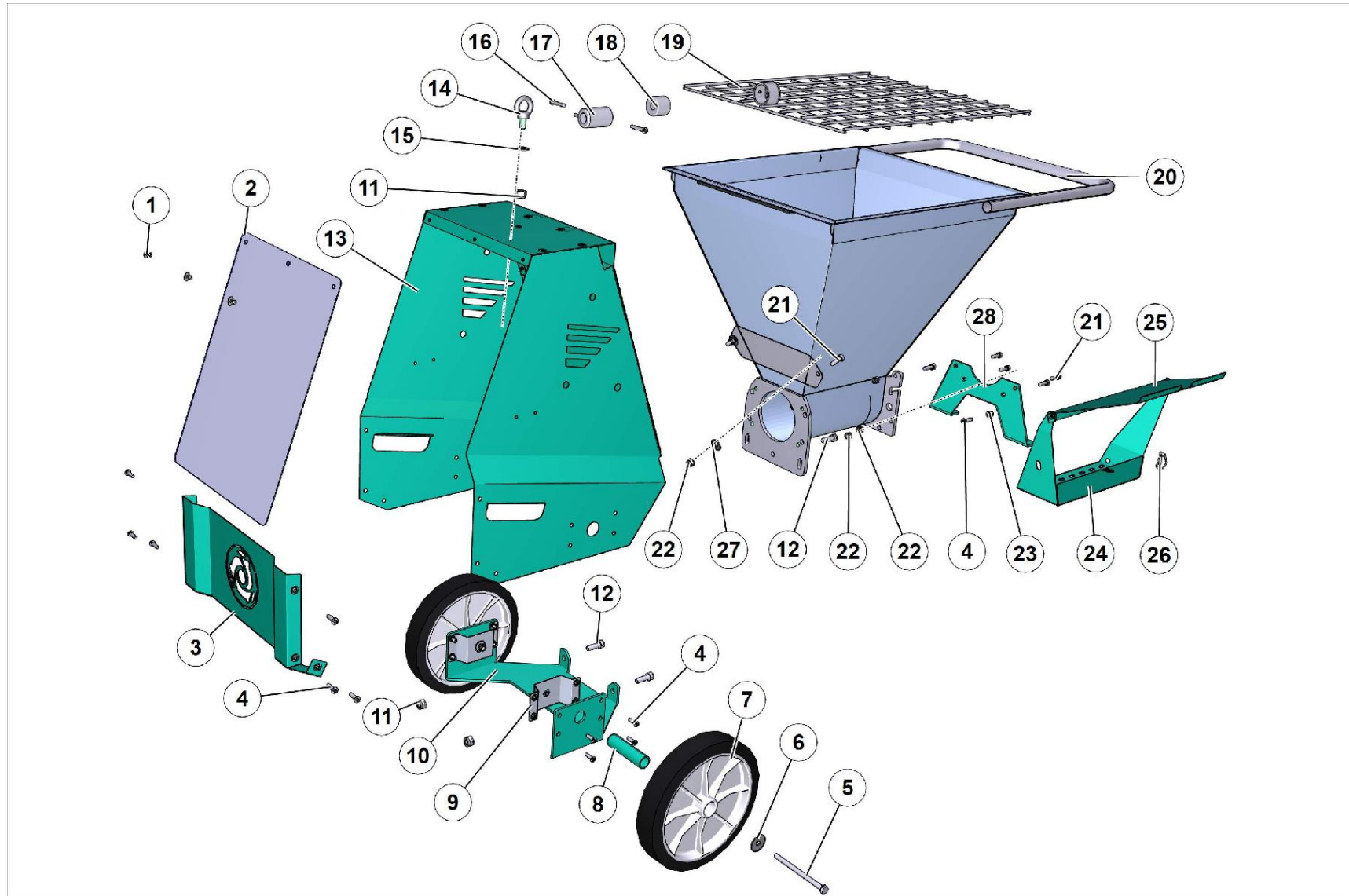
Building Equipment Division

Via della Meccanica, 39 (Zona Industriale Sentino) - 53040 Rapolano Terme
(Siena) - ITALY - Tel. +39 0577 97341 - Fax +39 0577 704077

www.imergroup.com

www.imerglobalcustomercare.com

FRAME





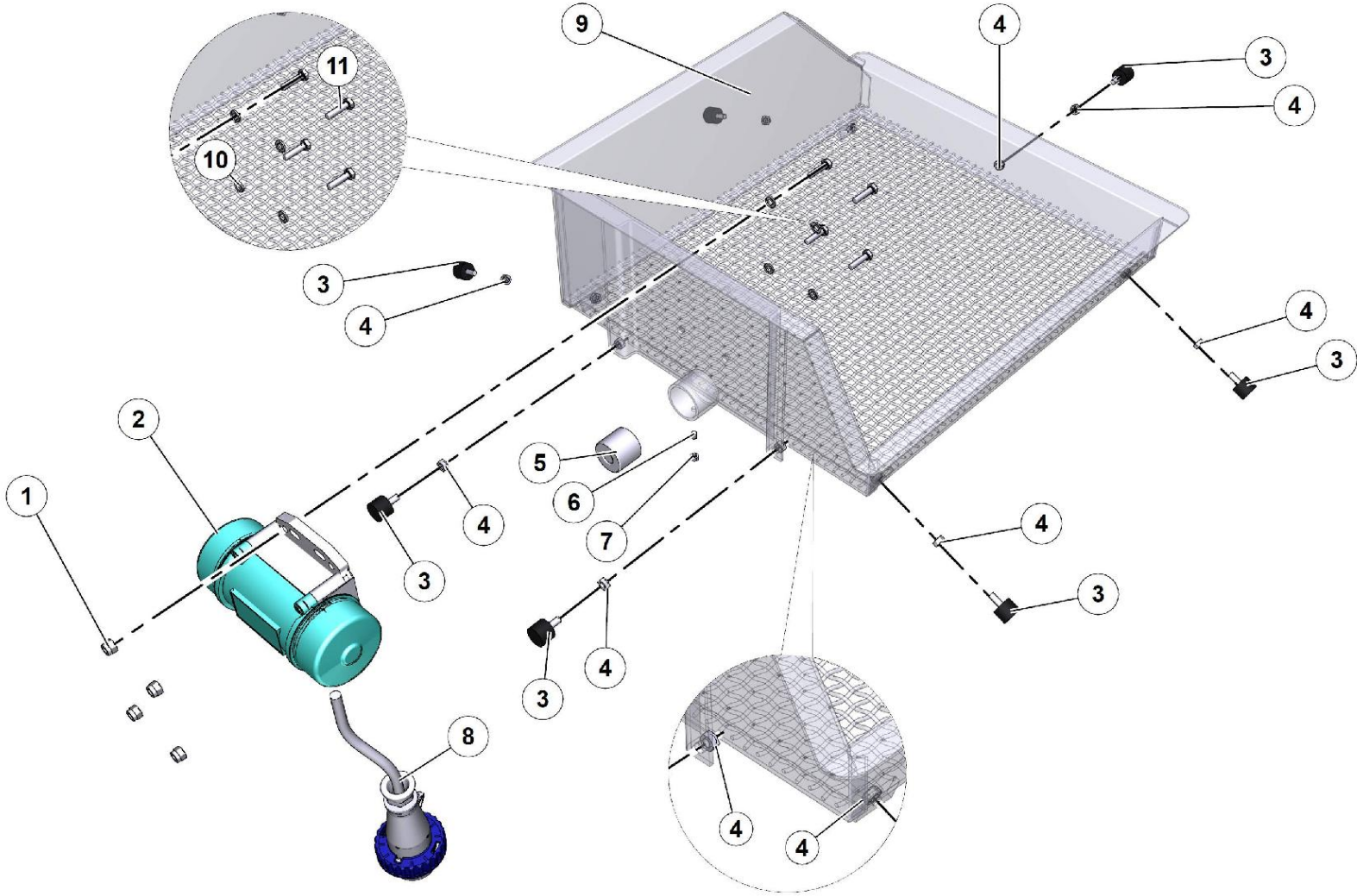
N.	CODE	DESCRIPTION	UM	QTY
1	2288788	Self-tapping screw	PZ	3.0
2	3225861	PROTECTION	PZ	1.0
3	3237689	PLATE	PZ	1.0
4	3206223	SCREW	PZ	16.0
5	2222068	SCREW TE 8.8 5737 8X110 Z	PZ	2.0
6	2224190	WASHER	PZ	6.0
7	2211150	WHEELS	PZ	2.0
8	3237714	TUBE	PZ	2.0
9	3237685	HOOK	PZ	2.0
10	3237711	PLATE	PZ	1.0
11	2223920	SELF-LOCKING NUT	PZ	3.0
12	2222571	SCREW TCEI 5931 10X 30 Z	PZ	3.0
13	3237683	FRAME	PZ	1.0
14	3209356	EYE-BOLT/MORTAR PUMP	PZ	1.0
15	2224340	ROLLER/MORTAR PUMP	PZ	1.0
16	3237684	SCREW TBEI 10.9 6X35 Z		2.0
17	3224239	MAGNETIC SENSOR/SCREW PUMP	PZ	1.0
18	3226027	MAGNET'S BUSHING	PZ	1.0
19	3224228	GRID	PZ	1.0
20	3237691	HOPPER	PZ	1.0
21	2222076	SCREW/SAW	PZ	6.0



N.	CODE	DESCRIPTION	UM	QTY
22	2223923	LOCK NUT	PZ	4.0
23	2223924	NUT	PZ	2.0
24	3237721	PLATE	PZ	1.0
25	3237720	COVER	PZ	1.0
26	3224628	SPLIT PIN	PZ	1.0
27	2224204	ROLLER/SAW	PZ	1.0
28	3237712	FRONT FOOT PAINTED SMALL 50 NEW	PZ	1.0



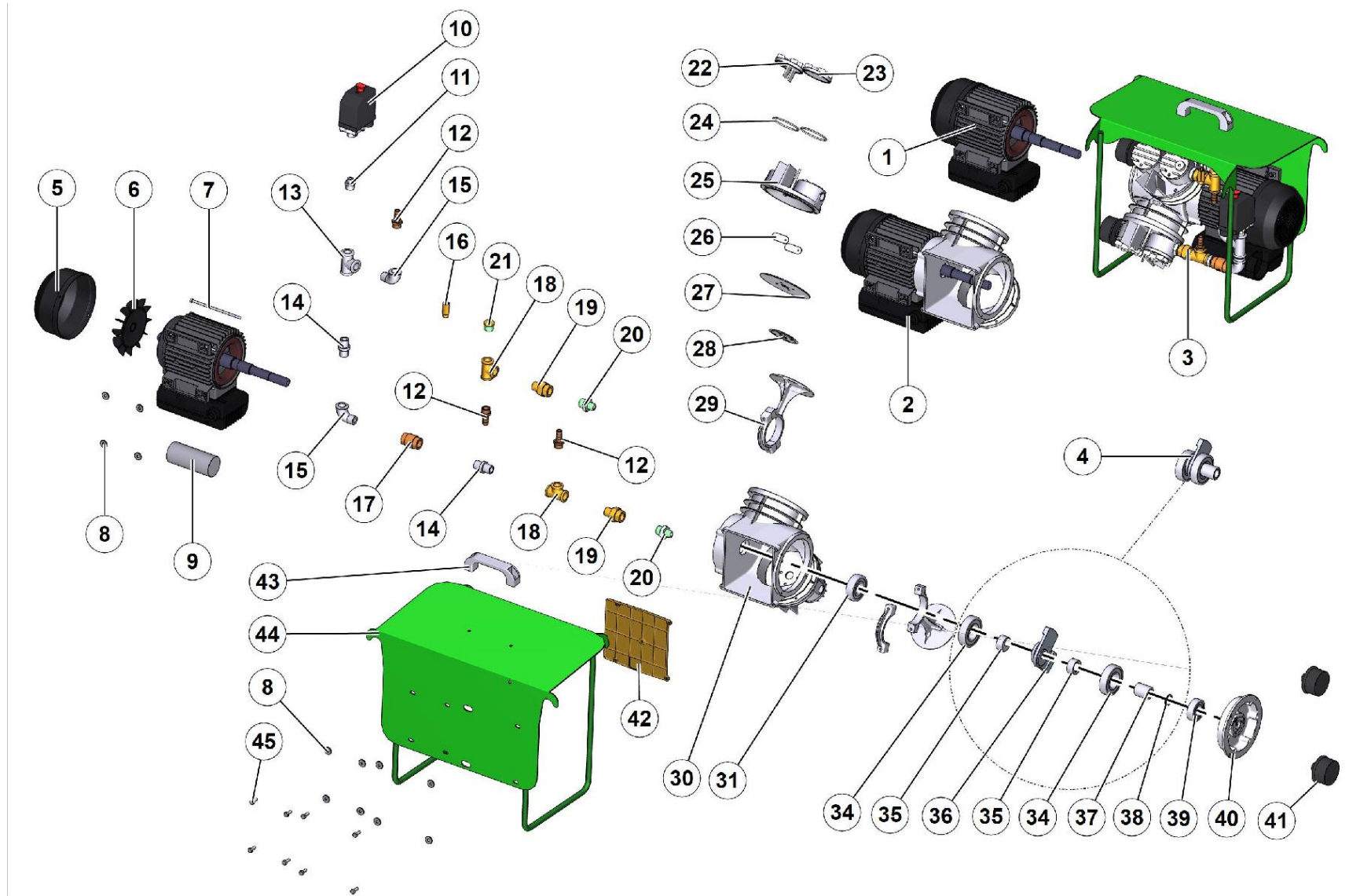
VIBRATING RIDDLE





N.	CODE	DESCRIPTION	UM	QTY
1	2223924	NUT	PZ	4.0
2	3224553	MOTOR VIBRATOR	PZ	1.0
3	3224801	SHOCK ABSORBER	PZ	7.0
4	2223280	NUT	PZ	14.0
5	3226027	MAGNET'S BUSHING	PZ	1.0
6	3225175	SCREW	PZ	1.0
7	2223352	NUT	PZ	1.0
8	3203504	PIN	PZ	1.0
9	3231641	VIBROSCREEN	PZ	1.0
10	2224530	ROLLER/MN	PZ	4.0
11	2222010	SCREW	PZ	4.0

COMPRESSOR





N.	CODE	DESCRIPTION	UM	QTY
1	3228020	COMPRESSOR MOTOR		1.0
2	3228021	CARDBOARD BOX	PZ	1.0
3	1107543	ELECTRIC DIAPHRAGM COMPRESSOR		1.0
4	3224300	CAM/SCREW PUMP	PZ	1.0
5	3226533	FAN COVER/SCREW PUMP	PZ	1.0
6	2291453	FAN	PZ	1.0
7	2222973	SCREW	PZ	4.0
8	2224531	WASHER	PZ	12.0
9	3226183	CAPACITOR/MORTAR PUMP	PZ	1.0
10	3224885	'PRESSURE SWITCH MIGNON VNP 1/4 "TAR.'	PZ	1.0
11	3226738	NIPPLES	PZ	1.0
12	3223613	HOSE CLAMP/SCREW PUMP	PZ	3.0
13	3224350	CONNECTOR	PZ	1.0
14	3224362	NIPPLE	PZ	2.0
15	3224351	ELBOW FITTING	PZ	2.0
16	3224593	SECURITY VALVE/SCREW PUMP	PZ	1.0
17	3224360	VALVE/SCREW PUMP	PZ	1.0
18	3223617	CONNECTOR	PZ	2.0
19	3223618	PIPE UNION/SCREW PIPE	PZ	2.0
20	3224928	REDUCED NIPPLE	PZ	2.0
21	3223609	REDUCER	PZ	1.0

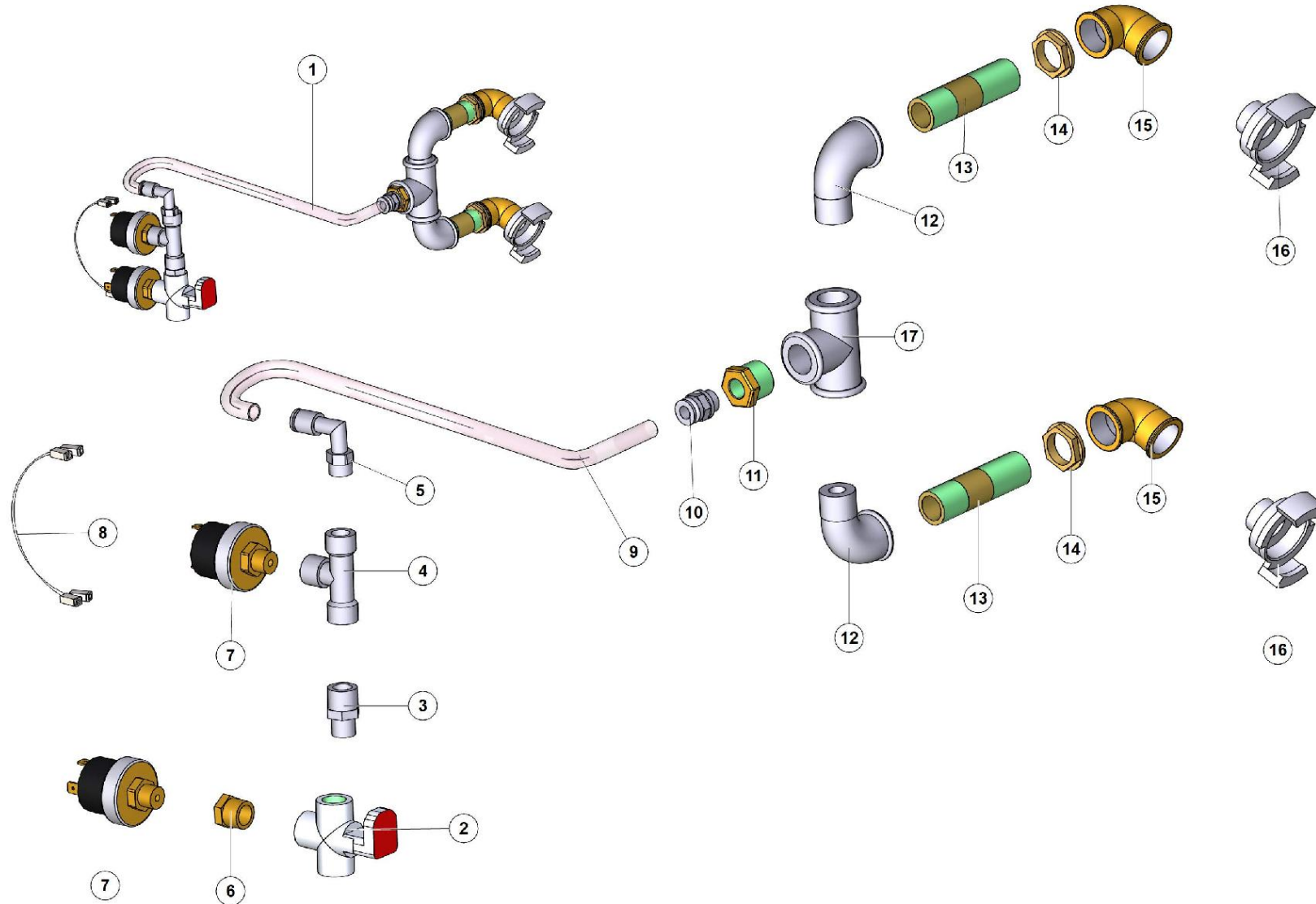


N.	CODE	DESCRIPTION	UM	QTY
22	3224534	LH CAP	PZ	2.0
23	3224533	RH CAP	PZ	2.0
24	3224867	O-RING/SCREW PUMP	PZ	4.0
25	3224532	HEAD	PZ	2.0
26	3224548	COMPRESSOR'S PLATE	PZ	4.0
27	3224539	COMPRESSOR MEMBRANE/SCREW PUMP	PZ	2.0
28	3237099	IMER 250 COMPRESSOR MEMBRANE STOP	PZ	2.0
29	3231647	ASSEMBLY PISTON ROD COMPRESSOR IMER 250	PZ	2.0
30	3224538	COMPRESSOR HOUSING	PZ	1.0
31	3224763	BEARING 6305 2RS1	PZ	1.0
34	3224860	BEARING 6207 2RS1 - CM	PZ	2.0
35	3226967	BUSH	PZ	2.0
36	3226966	ECCENTRIC BARBELL	PZ	1.0
37	3224332	SPACER	PZ	1.0
38	3227154	RING	PZ	1.0
39	3224859	BEARING 6304 2RSH - CM	PZ	1.0
40	3224536	COVER	PZ	1.0
41	3224844	AIR-FILTER/SCREW PUMP	PZ	4.0
42	3224537	COMPRESSOR PLATE	PZ	1.0
43	3204888	Handle	PZ	1.0
44	3231643	PAINTED COMPRESSOR SUPPORT FRAME	PZ	1.0



N.	CODE	DESCRIPTION	UM	QTY
45	2222002	SCREW	PZ	8.0

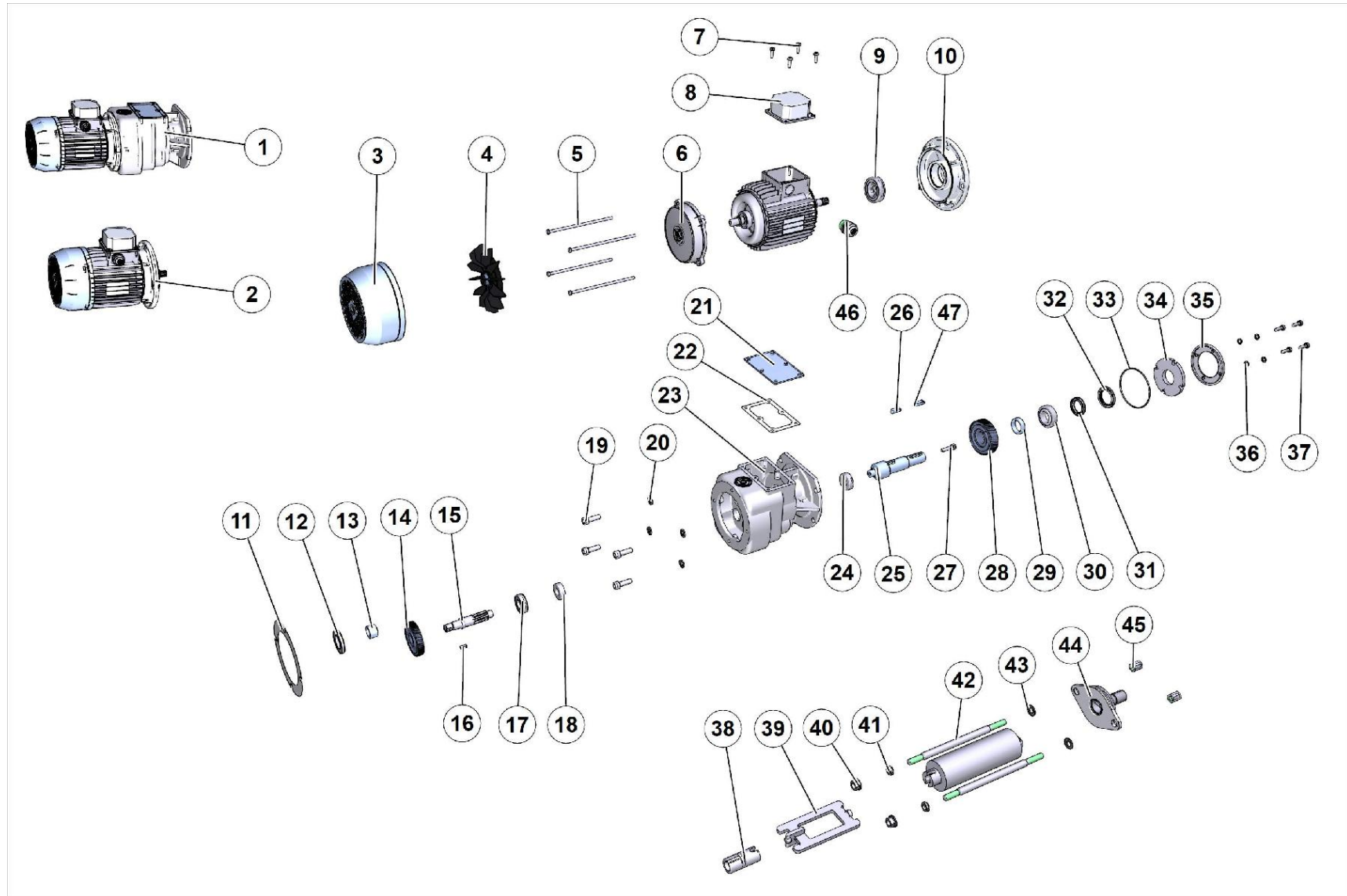
AIR CIRCUIT





N.	CODE	DESCRIPTION	UM	QTY
1	3300245	AIR GROUP SMALL 50 ES/EVO/MIGHTY		1.0
2	3238684	BALL VALVE		1.0
3	3228353	NIPPLES	PZ	1.0
4	3224968	COUPLING	PZ	1.0
5	3224345	CONNECTOR AIR	PZ	1.0
6	3229717	'REDUCTION M.3/8" F.1/4" RAW BRASS'	PZ	1.0
7	3223630	WATER PRESSURE SWITCH	PZ	2.0
8	3300253			1.0
9	1272701	TUBE/SCREW PUMP	M	1.0
10	3224359	AIR COUPLING	PZ	1.0
11	3223609	REDUCER	PZ	1.0
12	3224351	ELBOW FITTING	PZ	2.0
13	3223958	BRANCH	PZ	2.0
14	3223730	FLANGED RINGNUT	PZ	2.0
15	3224168	ELBOW FITTING 90°	PZ	2.0
16	3224203	RAPID FIXATION/SCREW PUMP	PZ	2.0
17	3224350	CONNECTOR	PZ	1.0

MOTOR-REDUCTION GEAR





N.	CODE	DESCRIPTION	UM	QTY
1	3227560	GEARMOTOR SMALL 50 230 V N	PZ	1.0
2	3227555	ELECTRIC MOTOR KW 1,5 TF SMALL 50	PZ	1.0
3	3230488	FAN COVER	PZ	1.0
4	3226240	FAN	PZ	1.0
5	2222973	SCREW	PZ	4.0
6	3226591	SHIELD		1.0
7	2222465	SCREW	PZ	4.0
8	3230578	COVER		1.0
9	2204391	Bearing	PZ	1.0
10	3228959	FLANGE	PZ	1.0
11	2216322	GASKET	PZ	1.0
12	3229120	OIL SEAL RING 47X25X7 VITON	PZ	1.0
13	3229167	MOTOR SMALL ROTOR BUSHING	PZ	1.0
14	3234183	GEAR Z 66 M 1 RECTIFIED	PZ	1.0
15	3229479	PINION Z 10 M=1,5 TREATED	PZ	1.0
16	3229119	TAB 5X5X13	PZ	1.0
17	3206514	Bearing	PZ	1.0
18	3209531	BEARING 6202 SKF	PZ	1.0
19	2222571	SCREW TCEI 5931 10X 30 Z	PZ	4.0
20	2224074	2224074 WASHER LOCK	PZ	4.0
21	3227539	COVER	PZ	1.0

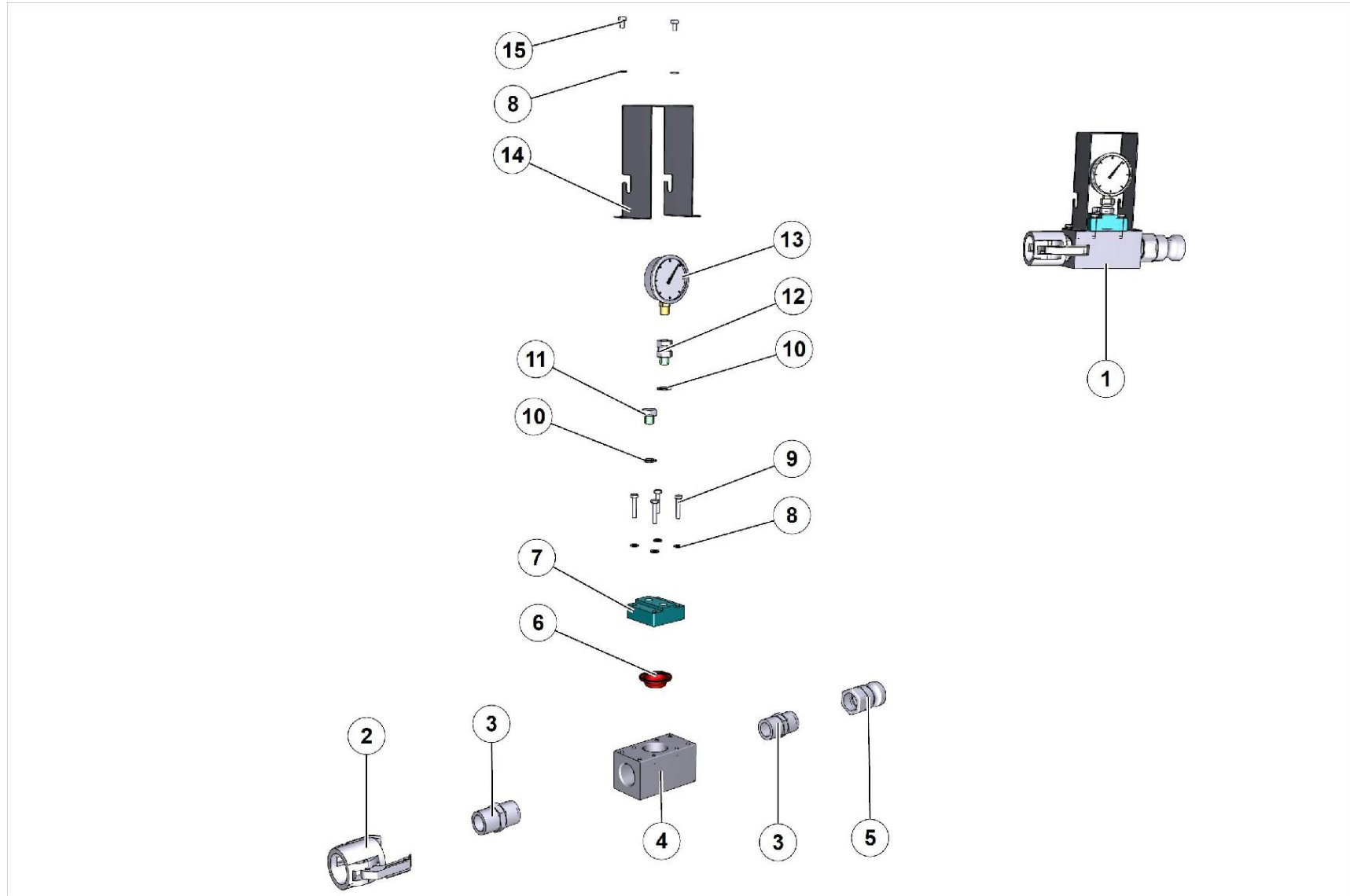


N.	CODE	DESCRIPTION	UM	QTY
22	3229116	GASKET	PZ	1.0
23	3227548	SHELL	PZ	1.0
24	3227549	BEARING CONICAL ROLLERS 30203	PZ	1.0
25	3227557	SHAFT	PZ	1.0
26	3229118	TAB 8X7X20	PZ	2.0
27	2222513	SCREW	PZ	1.0
28	3234184	GEARING	PZ	1.0
29	3227538	SPACER	PZ	1.0
30	3227551	BEARING CONICAL ROLLERS 32006	PZ	1.0
31	3228128	OIL SEAL RING 47X30X7	PZ	1.0
32	3224237	OIL SEAL/SCREW PUMP	PZ	1.0
33	3229782	O-RING GN090218	PZ	1.0
34	3224230	GASKET/SCREW PUMP	PZ	1.0
35	3224231	SEAL/SCREW PUMP	PZ	1.0
36	2224060	ROLLER GROWER	PZ	4.0
37	2222076	SCREW/SAW	PZ	4.0
38	3224232	TORQUE CONVERTER/SCREW PUMP	PZ	1.0
39	3224233	TRANSMISSION ROD/SCREW PUMP	PZ	1.0
40	2223806	NUT	PZ	2.0
41	2223807	NUT/MN	PZ	2.0
42	3233695	ROD M16 SMALL 50 GALVANIZED PUMP	PZ	2.0



N.	CODE	DESCRIPTION	UM	QTY
43	2224640	WASHER	PZ	2.0
44	3224227	MATERIAL OUTLET HOSE	PZ	1.0
45	3224395	NUT M.16	PZ	2.0
46	3209692	CABLE CLAMP	PZ	1.0
47	2229350	KEY	PZ	1.0

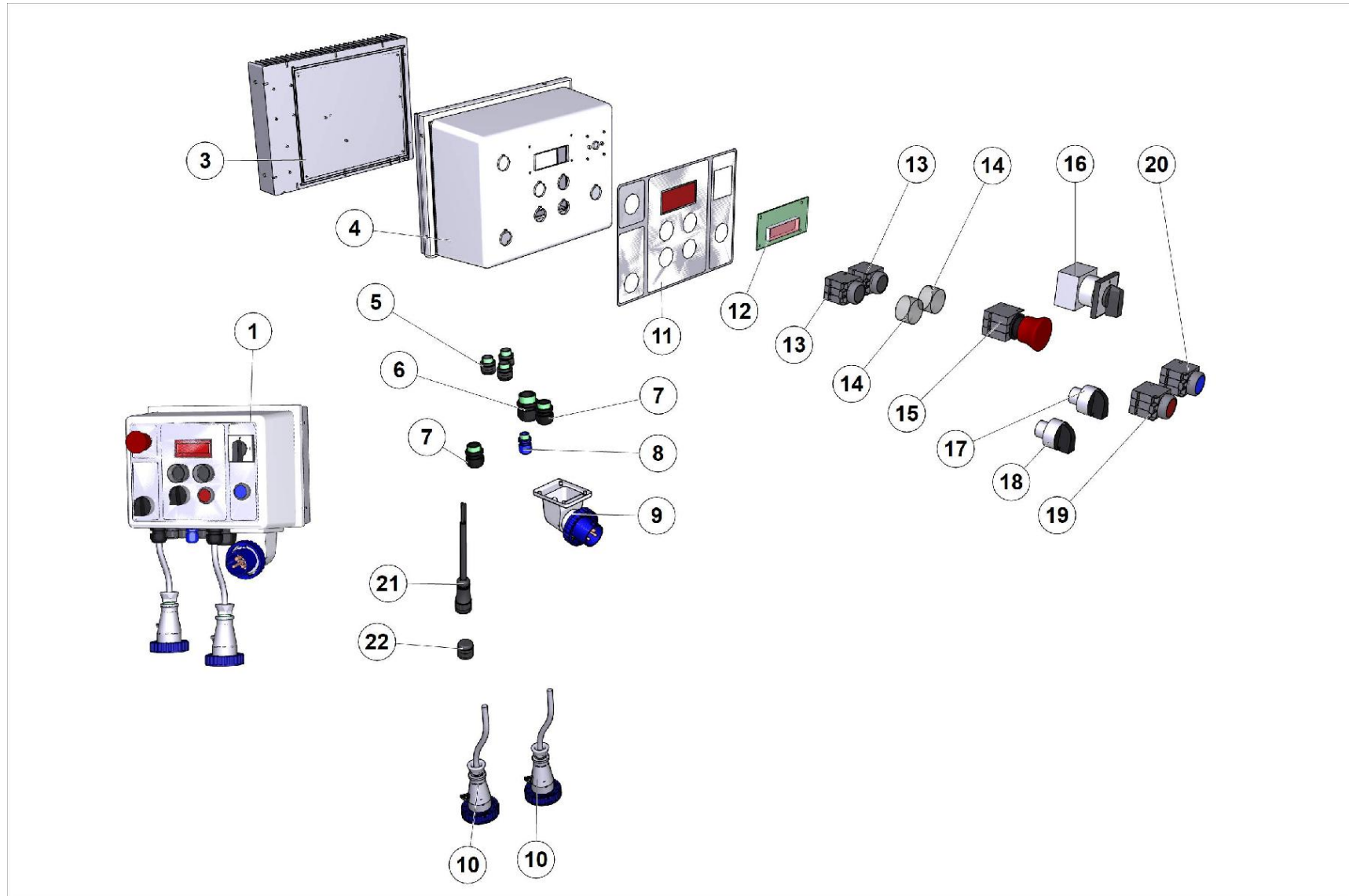
PRESSUR GAUGE





N.	CODE	DESCRIPTION	UM	QTY
1	1107662	Pressure meter unit		1.0
2	3224709	CAM COUPLING/SCREW PUMP	PZ	1.0
3	3224353	NIPPLE	PZ	2.0
4	3237947	PRESSURE GAUGE BLOCK	PZ	1.0
5	3223721	FIXATION/SCREW PUMP	PZ	1.0
6	3223392	MANOMETER'S MEMBRANE/MORTAR PUMP	PZ	1.0
7	3237948	PRESSURE GAUGE BLOCK	PZ	1.0
8	2224530	ROLLER/MN	PZ	6.0
9	2222022	SCREW	PZ	1.0
10	3251845		PZ	2.0
11	3225126	'CAP 1/4 "M. CYLINDER. SV60 °'	PZ	1.0
12	3225130	NIPPLES/MN	PZ	1.0
13	3237723	MANOMETER/SCREW PUMP	PZ	1.0
14	3237949	COVER	PZ	1.0
15	2222003	SCREW	PZ	2.0

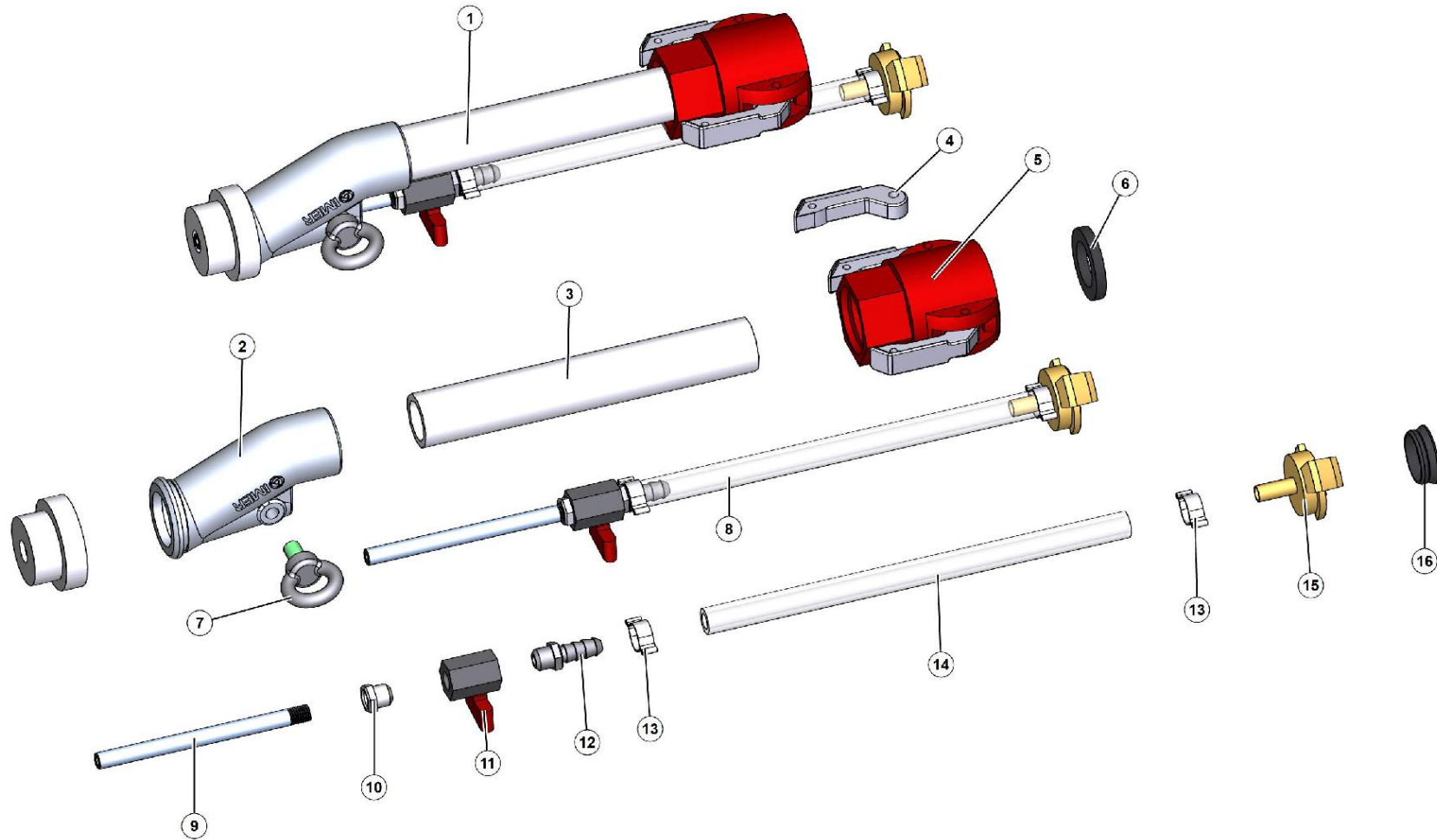
ELECTRIC PANEL





N.	CODE	DESCRIPTION	UM	QTY
1	3237902	ELECTRIC PANEL COMPLETE SMALL220V EVO	PZ	1.0
3	3238829	BOARD	PZ	1.0
4	3237903	BOX	PZ	1.0
5	3201217	CABLE CLAMP	PZ	3.0
6	3201503	CABLE CLAMP	PZ	1.0
7	3201442	CABLE CLAMP/SAW	PZ	2.0
8	3227508	CABLE CLAMP/SAW	PZ	1.0
9	3203084	PIN	PZ	1.0
10	3203545	PLUG/SAW	PZ	2.0
11	3237904	STICKER	PZ	1.0
12	3229742	INVERTER BOARD DISPLAY 1002-02	PZ	1.0
13	3225437	PUSHBUTTON/SCREW PUMP	PZ	2.0
14	3226932	PROTECTION	PZ	2.0
15	3225237	EMERGENCY PUSHBUTTON	PZ	1.0
16	3237740	THERMAL CUTOFF ACTUATOR	PZ	1.0
17	3230318	SWITCH 2 LEFT RETURN POSITION +CONTACTS	PZ	1.0
18	3230317	SWITCH 2 POSITION + CONTACTOR ELECTRIC C	PZ	1.0
19	3230449	COMPLETE RED LAMPHOLDER + LED 24 VDC	PZ	1.0
20	3230448	COMPLETE BLUE LAMPHOLDER + LED 24 VDC	PZ	1.0
21	3237745	THERMAL CUTOFF ACTUATOR	PZ	1.0
22	3237744	THERMAL CUTOFF ACTUATOR	PZ	1.0

SPRAY GUN DN 25

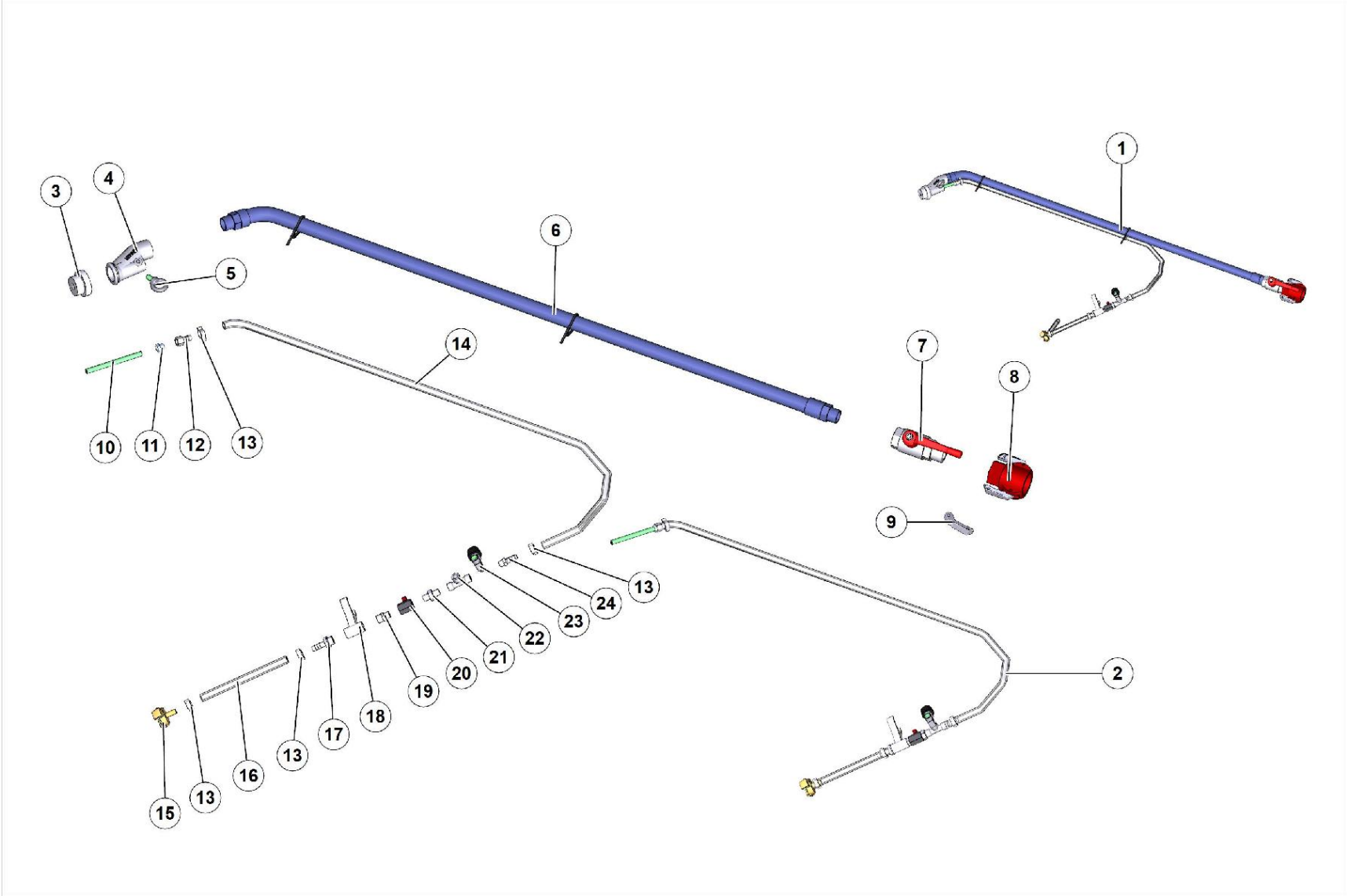




N.	CODE	DESCRIPTION	UM	QTY
1	1107540	Spray gun Koine		1.0
2	3223345	SPRAYJET HEAD/SCREW PUMP	PZ	1.0
3	3223348	TUBE	PZ	1.0
4	3224498	HANDLE/MORTAR PUMP	PZ	1.0
5	3224701	CAM COUPLING/SCREW PUMP	PZ	1.0
6	3224830	GASKET/MORTAR PUMP	PZ	1.0
7	3209356	EYE-BOLT/MORTAR PUMP	PZ	1.0
8	3225598	AIR HOSE/SCREW PUMP	PZ	1.0
9	3223350	AIR PIPE L = 130	PZ	1.0
10	3227954	REDUCER	PZ	1.0
11	3227953	VALVE/SCREW PUMP	PZ	1.0
12	3227955	'HOSE HOLDER M.1 / 4 "X12 BRASS'	PZ	1.0
13	3224823	RING CLAMPS	PZ	2.0
14	2292365	LINE/SAW	M	1.0
15	3224818	QUICK COUPLING WITH RUBBER HOSE D.10	PZ	1.0
16	3223697	GASKET/MORTAR PUMP	PZ	1.0



SPRAY GUN DN25





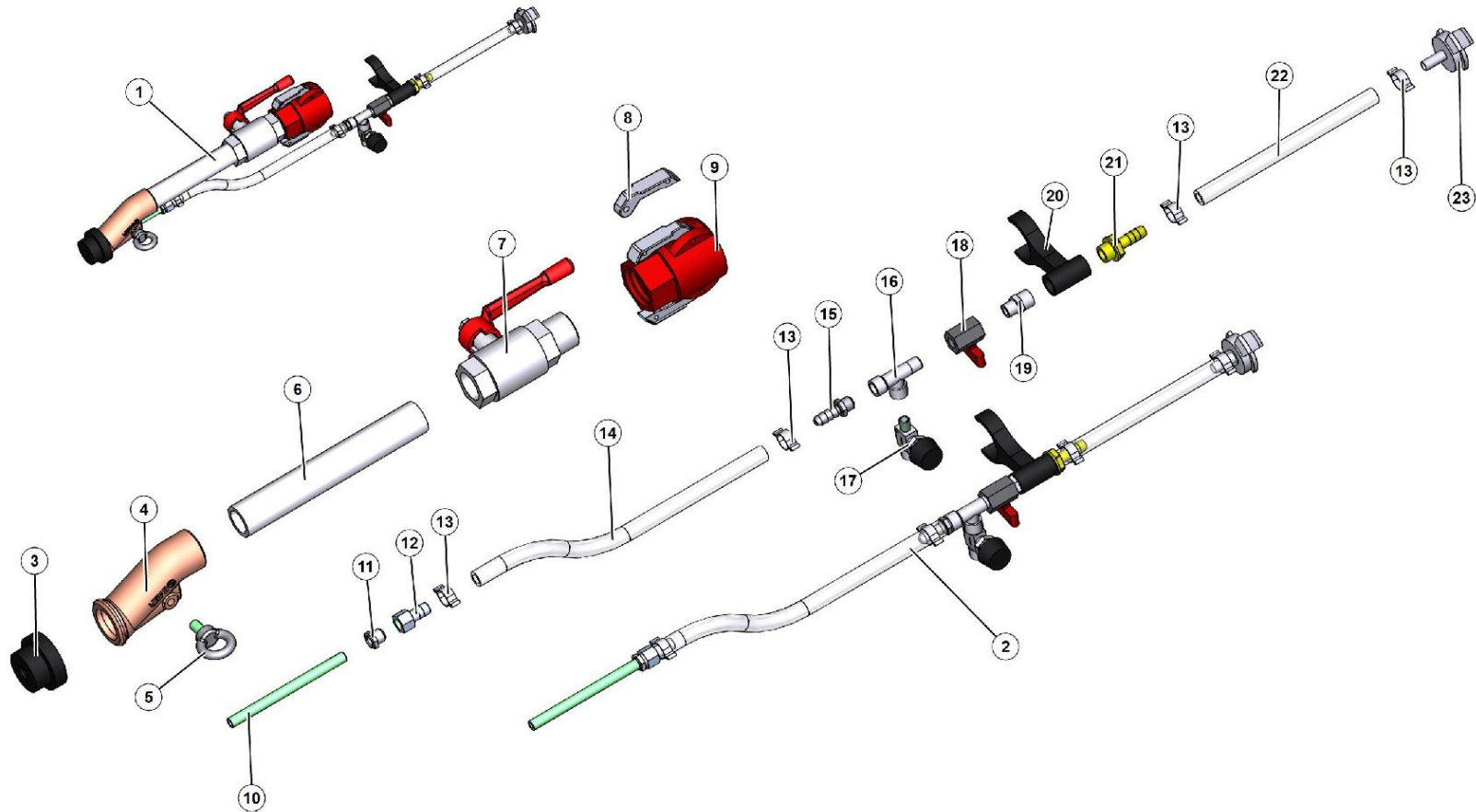
N.	CODE	DESCRIPTION	UM	QTY
1	1107549	Fire-proof spray gun		1.0
2	3226421	AIR HOSE	PZ	1.0
3	1107553	10 pces deflectors kit d. 14		1.0
4	3223345	SPRAYJET HEAD/SCREW PUMP	PZ	1.0
5	3209356	EYE-BOLT/MORTAR PUMP	PZ	1.0
6	3229626	EXTENSION PVC PN16 D.32 ASSEMBLED WITH	PZ	1.0
7	3225833	VALVE/MORTAR PUMP	PZ	1.0
8	3224701	CAM COUPLING/SCREW PUMP	PZ	1.0
9	3224498	HANDLE/MORTAR PUMP	PZ	2.0
10	3223350	AIR PIPE L = 130	PZ	1.0
11	3227954	REDUCER	PZ	1.0
12	3228674	RUBBER HOLDER	PZ	1.0
13	3224823	RING CLAMPS	PZ	4.0
14	2292365	LINE/SAW	M	1.0
15	3224818	QUICK COUPLING WITH RUBBER HOSE D.10	PZ	1.0
16	2292365	LINE/SAW	M	1.0
17	3228354	'HOSE HOLDER M.3 / 8 "X12 BRASS'	PZ	1.0
18	3223344	'RING FITTING WITH THREAD 3/8 "F.'	PZ	1.0
19	3228353	NIPPLES	PZ	1.0
20	3227953	VALVE/SCREW PUMP	PZ	1.0
21	3225186	NIPPLES		1.0



N.	CODE	DESCRIPTION	UM	QTY
22	3224968	COUPLING	PZ	1.0
23	3224496	VALVE/SCREW PUMP	PZ	1.0
24	3227955	'HOSE HOLDER M.1 / 4 "X12 BRASS'	PZ	1.0



SPRAY GUN WITH NO-SPREADING VALVE DN25





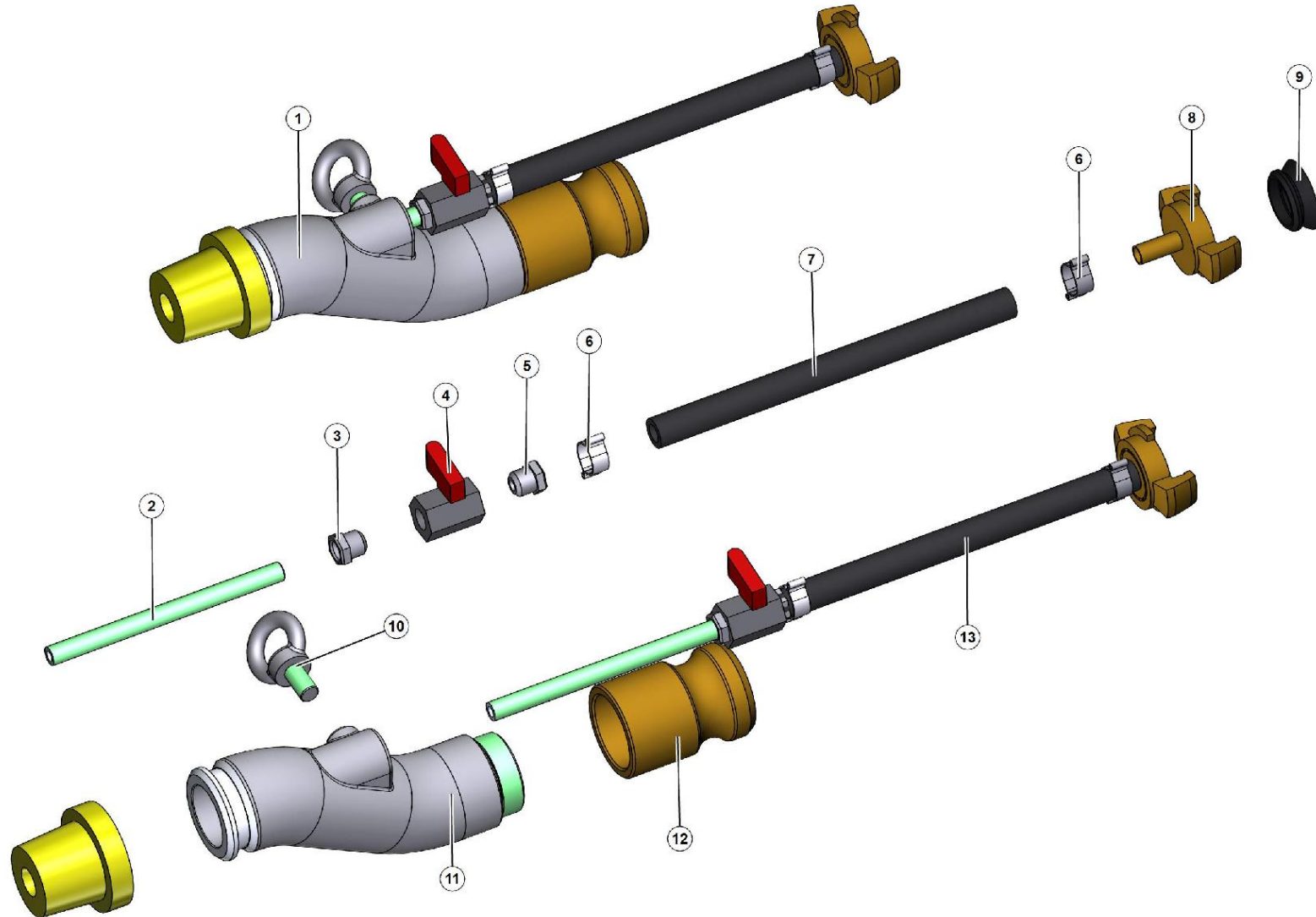
N.	CODE	DESCRIPTION	UM	QTY
1	1107568	SPRAY GUN PRESTIGE/SILENT		1.0
2	3225832	AIR HOSE/MORTAR PUMP	PZ	1.0
3	1107553	10 pces deflectors kit d. 14		1.0
4	3223345	SPRAYJET HEAD/SCREW PUMP	PZ	1.0
5	3209356	EYE-BOLT/MORTAR PUMP	PZ	1.0
6	3223348	TUBE	PZ	1.0
7	3225833	VALVE/MORTAR PUMP	PZ	1.0
8	3224498	HANDLE/MORTAR PUMP	PZ	2.0
9	3224701	CAM COUPLING/SCREW PUMP	PZ	1.0
10	3223350	AIR PIPE L = 130	PZ	1.0
11	3227954	REDUCER	PZ	1.0
12	3228674	RUBBER HOLDER	PZ	1.0
13	3224823	RING CLAMPS	PZ	4.0
14	2292365	LINE/SAW	M	1.0
15	3227955	'HOSE HOLDER M.1 / 4 "X12 BRASS'	PZ	1.0
16	3226797	FITTING	PZ	1.0
17	3224496	VALVE/SCREW PUMP	PZ	1.0
18	3227953	VALVE/SCREW PUMP	PZ	1.0
19	3228353	NIPPLES	PZ	1.0
20	3223344	'RING FITTING WITH THREAD 3/8 "F.'	PZ	1.0
21	3228354	'HOSE HOLDER M.3 / 8 "X12 BRASS'	PZ	1.0



N.	CODE	DESCRIPTION	UM	QTY
22	2292365	LINE/SAW	M	1.0
23	3224818	QUICK COUPLING WITH RUBBER HOSE D.10	PZ	1.0



SPRAYGUN FOR TRADITIONAL PALSTERS/PREMIXED DN 35

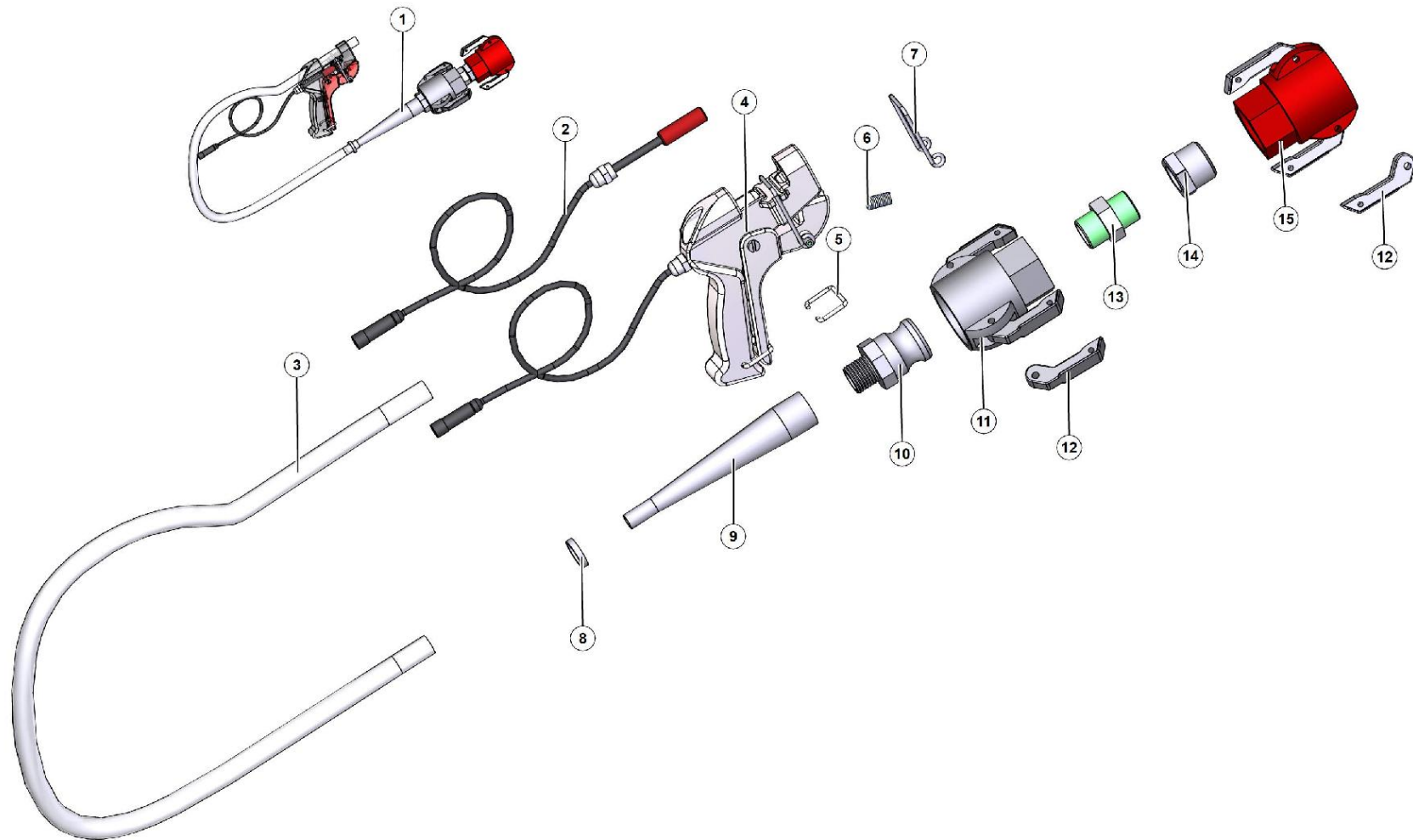




N.	CODE	DESCRIPTION	UM	QTY
1	1107577	SPRAYING GUN/SCREW PUMP		1.0
2	3223350	AIR PIPE L = 130	PZ	1.0
3	3227954	REDUCER	PZ	1.0
4	3227953	VALVE/SCREW PUMP	PZ	1.0
5	3227955	'HOSE HOLDER M.1 / 4 "X12 BRASS'	PZ	1.0
6	3224823	RING CLAMPS	PZ	2.0
7	2292365	LINE/SAW	M	1.0
8	3224818	QUICK COUPLING WITH RUBBER HOSE D.10	PZ	1.0
9	3223697	GASKET/MORTAR PUMP	PZ	1.0
10	3209356	EYE-BOLT/MORTAR PUMP	PZ	1.0
11	3226721	SPRAYING GUN HEAD D. 35	PZ	1.0
12	3224361	CAM COUPLING	PZ	1.0
13	3225598	AIR HOSE/SCREW PUMP	PZ	1.0



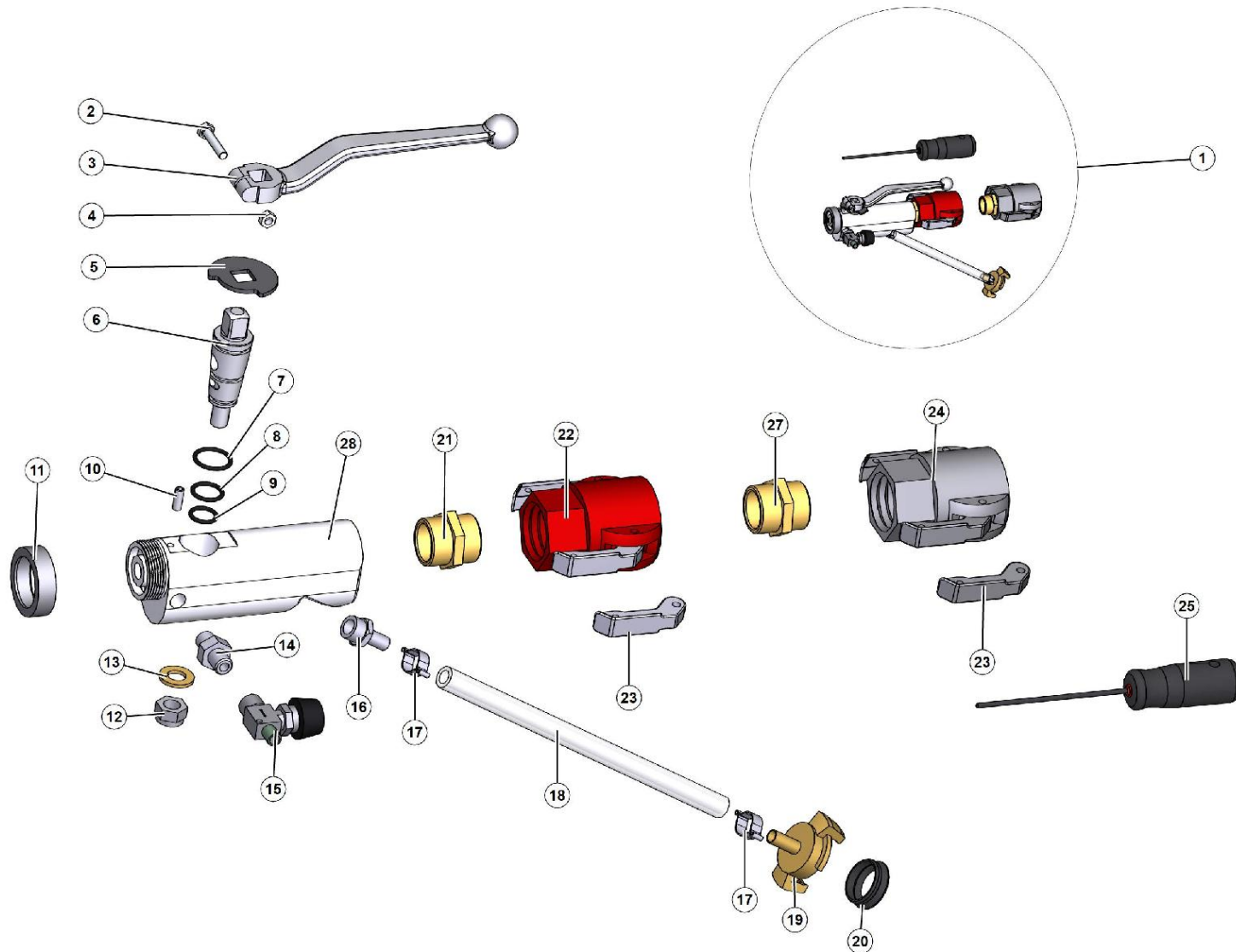
SPACER FILLER GUN DN25





N.	CODE	DESCRIPTION	UM	QTY
1	1107504			1.0
2	3229817	SENSOR		1.0
3	3230154	TUBE		1.0
4	3239086			1.0
5	3229812	SPRING		1.0
6	3229816	SPRING		1.0
7	3229813	SPRING		1.0
8	3225073	CLAMP	PZ	1.0
9	3230121	GALVANIZED CONICAL GUN FITTING FOR JOINT	PZ	1.0
10	3224328	CAM COUPLING	PZ	1.0
11	3224706	CAM COUPLING/SCREW PUMP	PZ	1.0
12	3224498	HANDLE/MORTAR PUMP	PZ	4.0
13	3225620	NIPPLES	PZ	1.0
14	3223608	REDUCER	PZ	1.0
15	3224701	CAM COUPLING/SCREW PUMP	PZ	1.0

SPRAY GUN FINISHING COAT





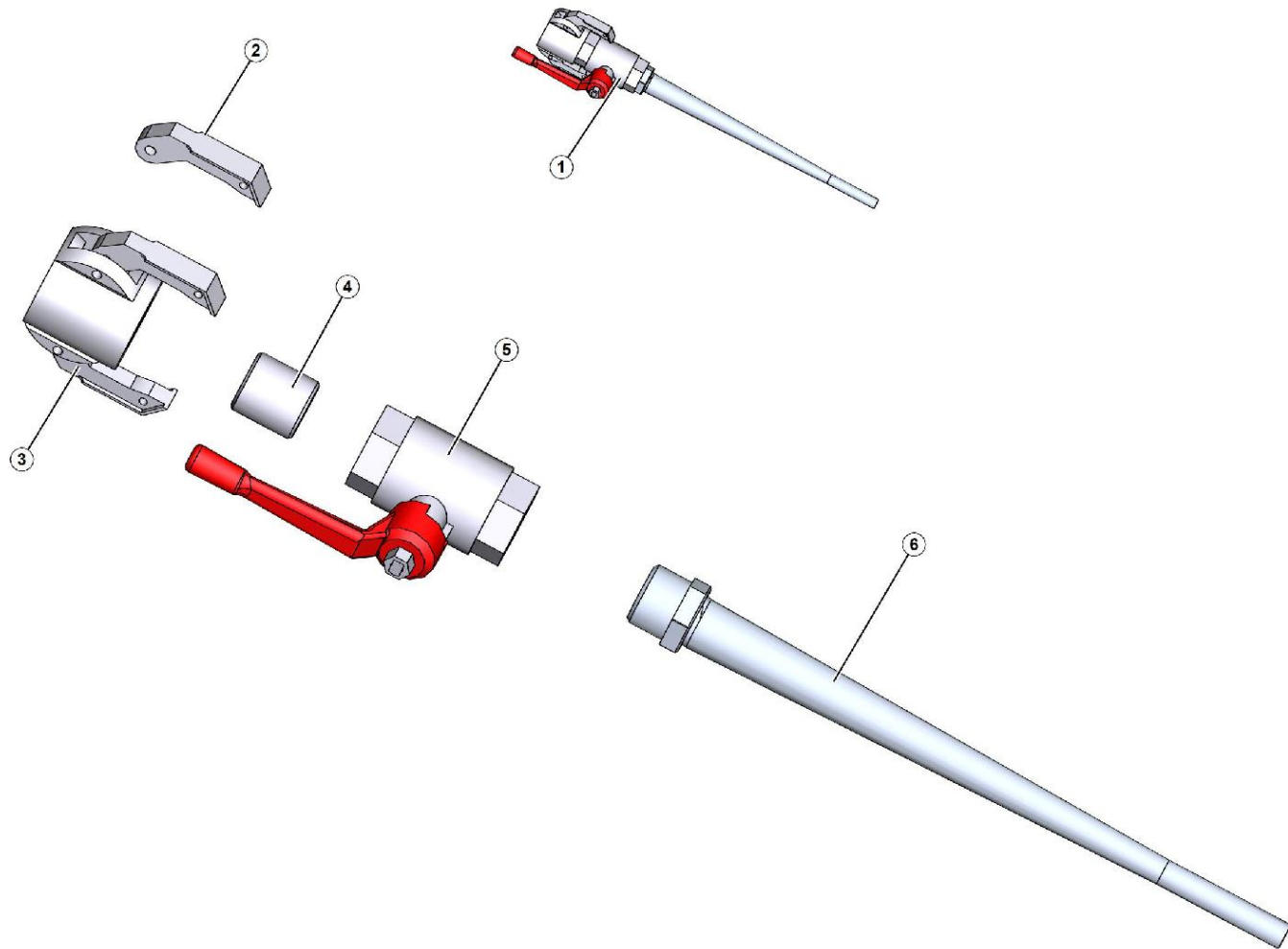
N.	CODE	DESCRIPTION	UM	QTY
1	1107011	Spray gun Small 50		1.0
2	2222022	SCREW	PZ	1.0
3	3223918	HANDLE	PZ	1.0
4	2223280	NUT	PZ	1.0
5	3224280	WASHER		1.0
6	3224281	CONE		1.0
7	3239003	STOP RING		1.0
8	2227067	STOP RING	PZ	1.0
9	3239002	STOP RING		1.0
10	3207673	GRUB SCREW	PZ	1.0
11	3224277	RING/SCREW PUMP	PZ	1.0
12	2223921	NUT	PZ	1.0
13	2224380	WASHER/SAW	PZ	1.0
14	3225186	NIPPLES		1.0
15	3224496	VALVE/SCREW PUMP	PZ	1.0
16	3224817	'HOSE HOLDER M. 3/8 "X10 BRASS'	PZ	1.0
17	3224823	RING CLAMPS	PZ	2.0
18	2292365	LINE/SAW	M	1.0
19	3224818	QUICK COUPLING WITH RUBBER HOSE D.10	PZ	1.0
20	3223697	GASKET/MORTAR PUMP	PZ	1.0
21	3224956	NIPPLES/SCREW PUMP	PZ	1.0



N.	CODE	DESCRIPTION	UM	QTY
22	3224701	CAM COUPLING/SCREW PUMP	PZ	1.0
23	3224498	HANDLE/MORTAR PUMP	PZ	2.0
24	3224706	CAM COUPLING/SCREW PUMP	PZ	1.0
25	3223694	NOZZLE CLEANER/SCREW PUMP	PZ	1.0
27	3224707	REDUCTION NIPPLES/SCREW PUMP	PZ	1.0
28	3224276	SMALL50 SPRAY GUN BODY	PZ	1.0



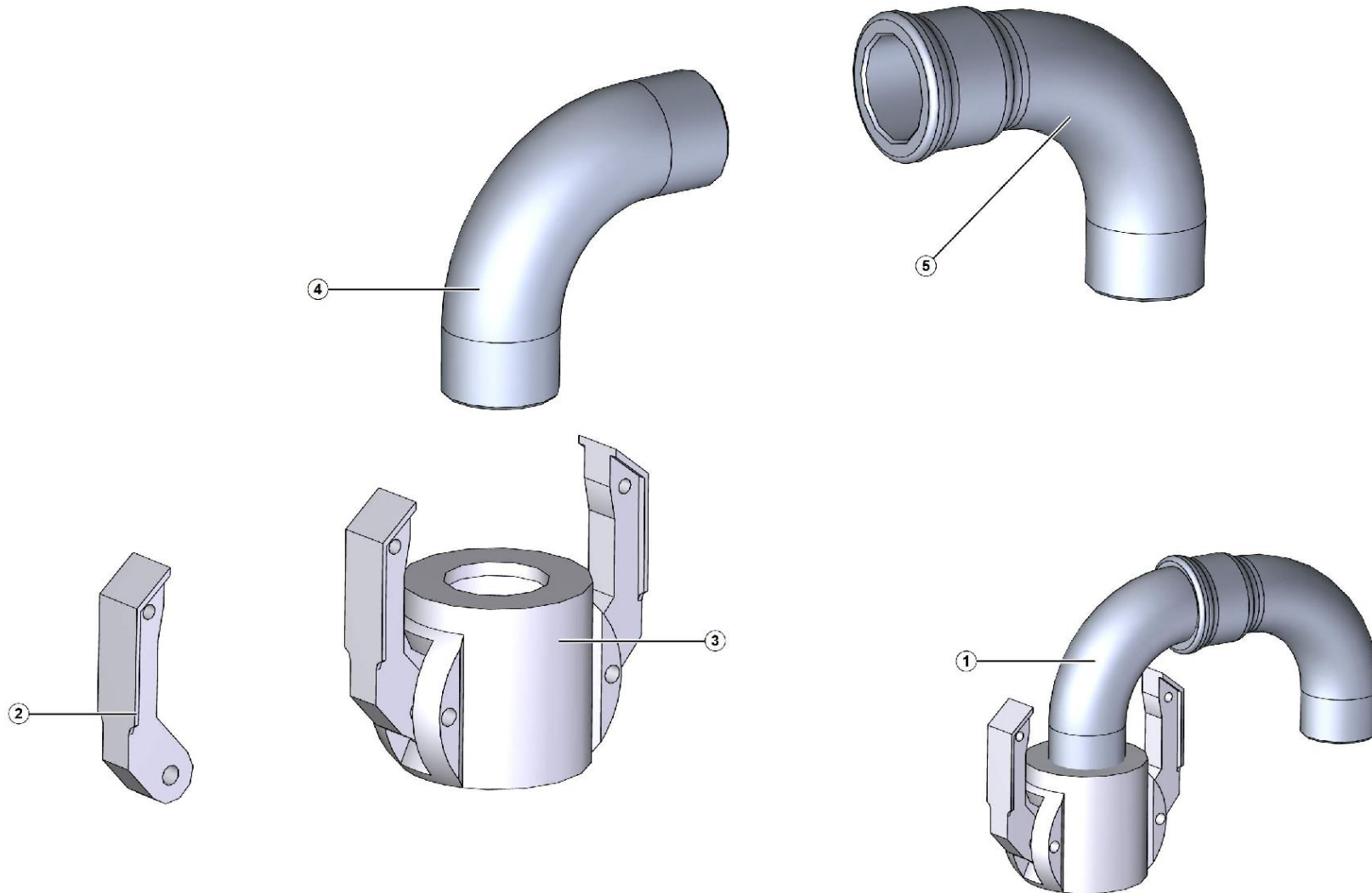
CONICAL TUBE GUN FOR SPACING DN 25





N.	CODE	DESCRIPTION	UM	QTY
1	1107499	Spray gun for spacing - hose diam 25		1.0
2	3224498	HANDLE/MORTAR PUMP	PZ	2.0
3	3224709	CAM COUPLING/SCREW PUMP	PZ	1.0
4	3224703	BRANCH	PZ	1.0
5	3223865	BALL VALVE	PZ	1.0
6	3235933	GALVANIZED CONICAL GUN FITTING FOR JOINT	PZ	1.0

U-SHAPED STEEL PIPE DN25





N.	CODE	DESCRIPTION	UM	QTY
1	1107570	Nozzle IM 35		1.0
2	3224498	HANDLE/MORTAR PUMP	PZ	1.0
3	3224709	CAM COUPLING/SCREW PUMP	PZ	1.0
4	3226426	'WIDE RANGE CURVE 90° 1" M.M.'		1.0
5	3226424	'WIDE RANGE CURVE 90° 1" M.F.'		1.0



Access Platform Division

Via San Francesco d'Assisi, 8 - 46020 Pegognaga (Mantova) - ITALY Tel. +39 0376
554011 - Fax +39 0376 559855

www.imergroup.com

Building Equipment Division

Via della Meccanica, 39 (Zona Industriale Sentino) - 53040 Rapolano Terme
(Siena) - ITALY - Tel. +39 0577 97341 - Fax +39 0577 704077

www.imergroup.com